



# BELUGA MODEL I UNTIL 00-12-19 SPARE PARTS I

1

2

3

4

5

6

7

8

9

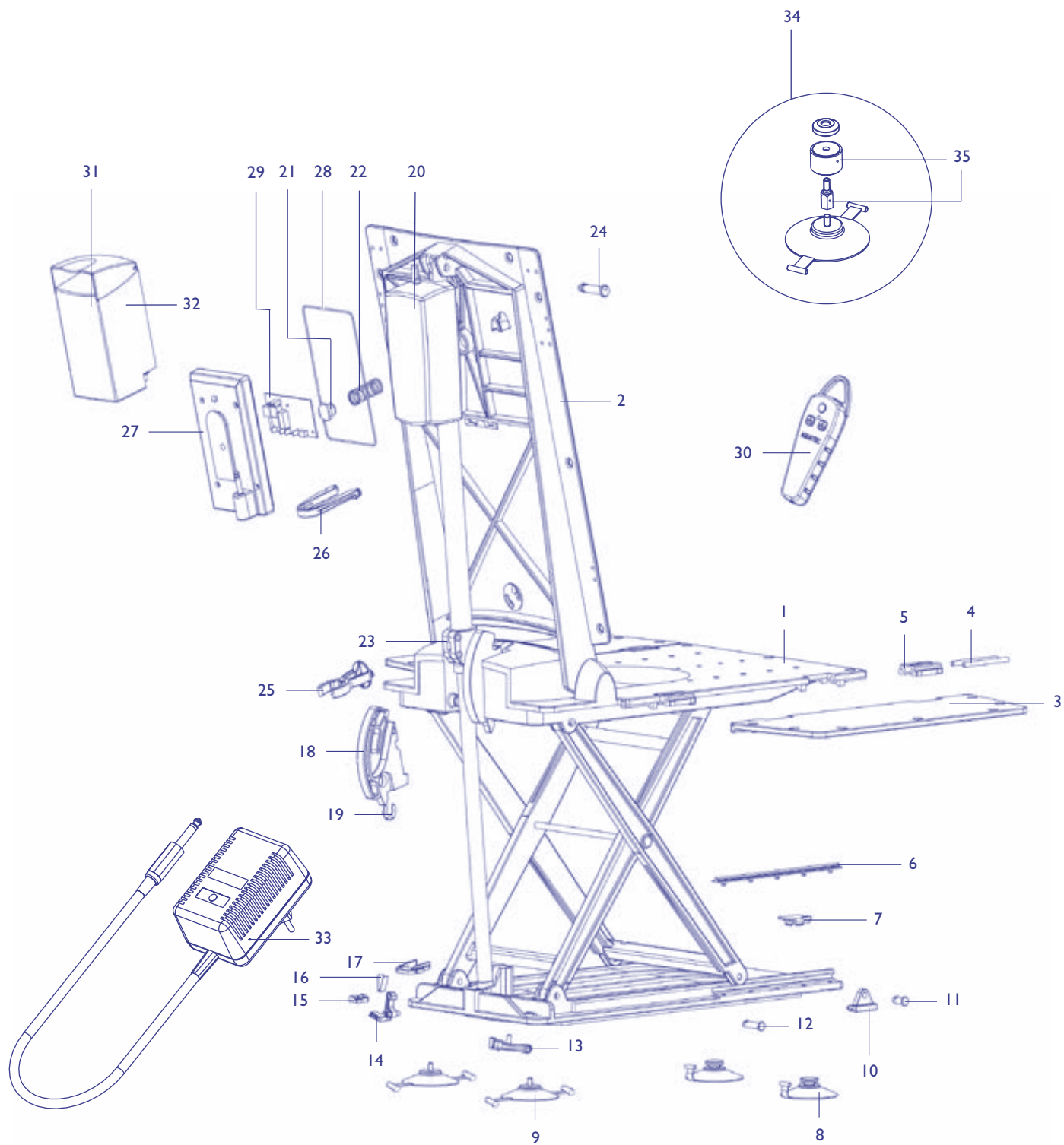
10

11

12

Bathlift

Until serial number 701305





I  
2  
3  
4  
5  
6  
7  
8  
9  
10  
11  
12  
Bathlift

**To:**  
**AQUATEC**  
**Customer service**  
**Alemannenstrasse 10**  
**88316 Isny**  
**Germany**

**Telefax**  
**++49 (0) 75 62/700-69**

Customer	Telephone
Delivery address	Telefax
	Com.
	Customer service

**Serial number:**

Pieces	No.	Order No.	Description	Unit Price Euro
	1	15179	Seat cover, white, 3 mm	32,00
	2	15346	Backrest (frame only)	52,00
	2	15419	Cover for backrest, white, 3 mm	27,50
	1+2	15459	Set (cover seat and backrest), white, 3 mm	50,00
	3	15124	Sideflap	47,50
	4	15122	Hinge bolt	1,50
	5	15123	Hinge plate	1,75
	6	15115	Gliding rail	1,75
	7	15121	Suction cup cover	2,00
	8	15072	Suction cups with toggle (pair)	6,00
	8+9	15353	Set of suction cups (pair with toggle / pair of screw-in suction cups) (4 pcs) ø 8 cm	10,50
	9	15071	Screw-in suction cups (pair)	6,00
	10	15106	Gliding shoe	1,75
	11	15105	Bolt for gliding shoe	1,00
	12	15104	Bolt for U-bearing	1,00
	13	15470	Latch with pressure spring (until 00-04-24)	1,50
	13	15669	Latch (new) with pressure spring (15339), serial number (seat) 587043, starting 00-04-25)	1,50
	14	15338	Bar	1,50
	15	15340	Bearing cap	0,75
	16	15415	Spring	1,75
	17	15336	Plate	1,00
	18	15342	Guiding plate left side	7,50
	18	15343	Guiding plate right side	7,50
	19	15344	Securing washer	0,75
	20	15828	Actuator with spindle foot	277,75
	21	15441	Pressure piece	1,00
	22	15445	Pressure spring	1,50
	23	15831	Pulley assembly inc. screws and nuts	9,50
	24	14468	Motor bolt	2,25

**Total net:**



1

2

3

4

5

6

7

8

9

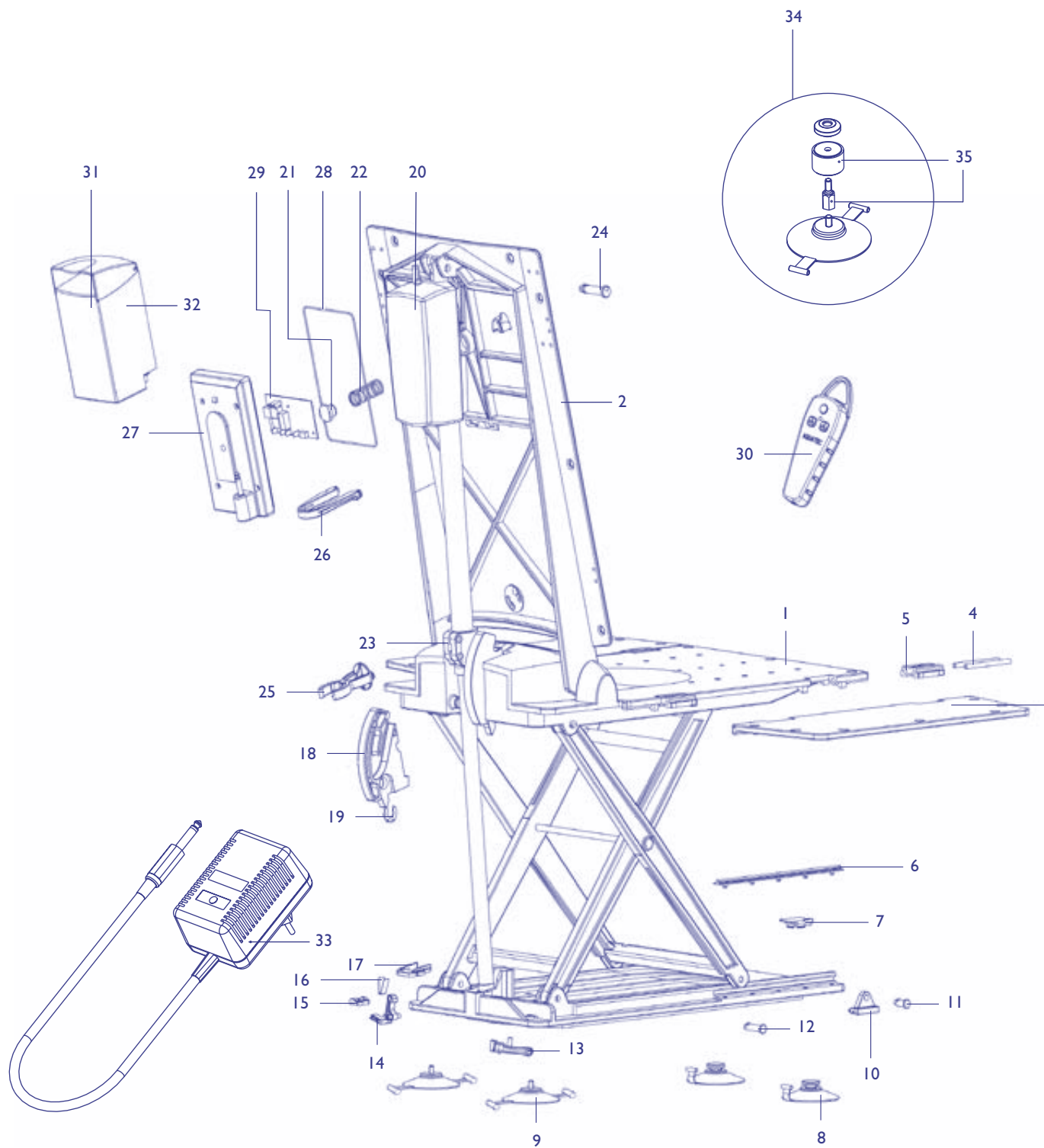
10

11

12

Bathlift

Until serial number 701305





1

2

3

4

5

6

7

8

9

10

11

12

Bathlift

**To:**  
**AQUATEC**  
**Customer service**  
**Alemannenstrasse 10**  
**88316 Isny**  
**Germany**

**Telefax**  
**++49 (0) 75 62/700-69**

Customer	Telephone
Delivery address	Telefax
	Com.
	Customer service

**Serial number:**

Pieces	No.	Order No.	Description	Unit Price Euro
	25	15349	Spindle catch	4,50
	26	15350	Holder	2,25
	27	15937	Cap with plug	9,50
	28	15469	O-ring	2,00
	29	15183	Circuit board	111,50
	30	15395	Hand control with spiral cable	87,00
	31	15166	Battery cpl.	73,00
	32	15224	Glass fuse 5 x 20 5A	1,00
	33	15088	Battery charger (Europe)	36,00
		15237	Battery charger (GB)	42,25
		15239	Battery charger (USA)	42,25
	34	15170	Conversion kit height adapters 2 cm	17,00
	35	14694	Height adapters (set of 4) to adapt height up to 4 cm, 2 x part no. 14694 required for height adaptation up to 6 cm	12,00
			<b>Not illustrated</b>	
		1x14694 + 1x15170	Required for height adaptation up to 4 cm	29,00
		2x14694 + 1x15170	Required for height adaptation up to 6 cm	41,00
		15298	Conversion kit without height adapters	7,75
		15880	Recirculation kit without battery charger	58,00
		15623	User manual	0,00
			<b>Total net:</b>	